

“It was the best performing technology we tested, fast and accurate. Working with Tech Soft 3D was a great experience, they were very responsive and quick to resolve issues.”

**Thierry Bonfante, Senior Director, Oracle Product Development**

## Product Overview

AutoVue makes product and asset documents and information, including 3D/2D CAD, available to all enterprise users, regardless of their technical skills and without requiring costly authoring applications. With its document viewing, digital markup, and real-time collaboration capabilities, users involved in a variety of business processes such as product design, change management, maintenance and repairs, or project planning can access, share, and collaborate on products. AutoVue drives innovation and revenue, increases efficiency, and maximizes productivity in thousands of organizations around the world.

## The Challenge

Supporting 20 years of CAD translator development is costly and complicated. Updating translators to the latest CAD file versions, testing them and supporting them can be an enormous burden. Oracle decided to reduce development costs and free up resources to focus on new markets and innovation.

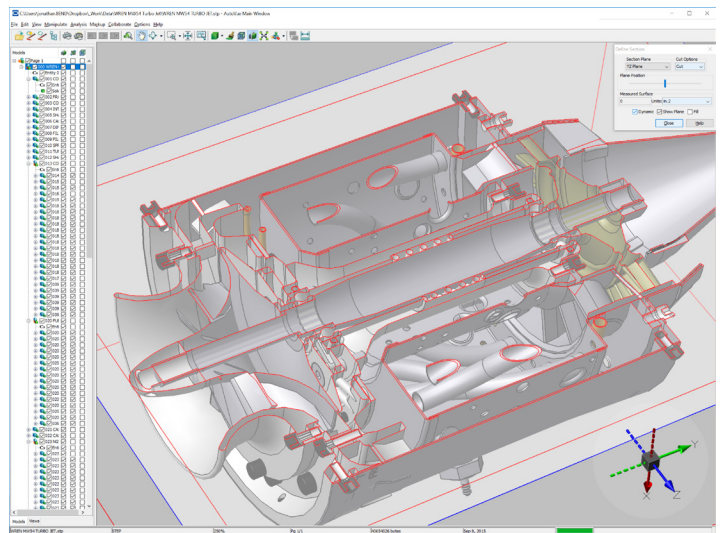
## Business Profile

**Customer:** Oracle

**Product:** AutoVue for desktop and mobile devices

**Industry Focus:** Product Lifecycle Management (PLM)

**Company Website:** [www.oracle.com](http://www.oracle.com)



## The Decision to use HOOPS Toolkits

When comparing the cost of developing and maintaining its own CAD file translators to using a proven component technology, Oracle determined that by choosing HOOPS Exchange they would have the latest and best support of over 20 CAD formats and could deploy their resources to support core features of their visualization solutions.

HOOPS Exchange is a proven CAD translation toolkit used by hundreds of organizations to process millions of files. By licensing HOOPS Exchange, Oracle could add complete, fast and accurate 3D CAD data access to multiple file formats, minimizing development costs while boosting product quality.

Additionally, HOOPS Exchange is integrated with other toolkits as part of the HOOPS Desktop and Web Platforms. Oracle saw this as a unique advantage because it could easily add new functionality as its customers' needs evolved. Oracle would soon develop AutoVue 3D for Mobile using HOOPS Visualize, the gold standard graphics engine for native engineering applications on mobile devices.

## Implementation

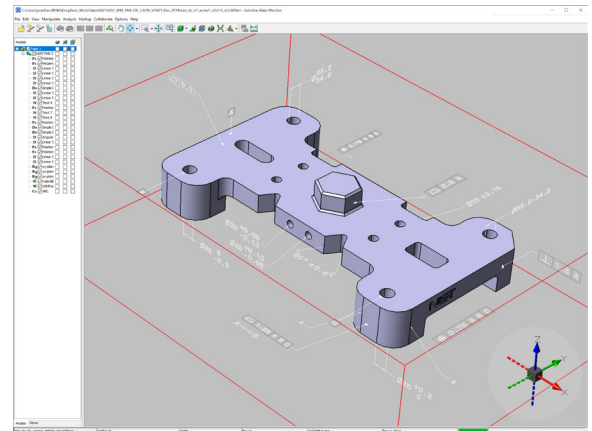
On an aggressive schedule of just 18 months, Oracle worked very closely with Tech Soft 3D to implement HOOPS Exchange within AutoVue. The project included several man-years to test millions of files within its existing test suite.

HOOPS Exchange had a high success rate with even the toughest of files. Thierry Bonfante, Senior Director, Product Development at Oracle commented that, "It was the best performing technology we tested, fast and accurate. Working with Tech Soft 3D was a great experience, they were very responsive and quick to resolve issues."

## The Result

Though reluctant at first to replace existing functionality with a licensed component, Oracle Engineering and Product Management is overwhelmingly supportive of the HOOPS toolkits. Based on this new technology, Oracle was able to drastically reduce the investment in file support and transfer the resources to business critical use cases.

And the critical question is: How did the market respond to that change? AutoVue v21, powered by HOOPS Exchange, was released in November 2015. It was a smooth and easy upgrade. No customers noticed that the underlying technology changed and many more were delighted with the improved robustness, functionality and performance of AutoVue.



### About Tech Soft 3D

Tech Soft 3D is the leading global provider of development tools that help software teams deliver successful applications, as well as the creator of the 3D format that is part of the PDF standard. Established in 1996 and headquartered in Bend, Oregon, Tech Soft 3D also has offices in California, Ohio, France, England and Japan. The company's toolkit products power nearly 500 unique applications running on hundreds of millions of computers worldwide, while the tetra4D brand of end-user products are used by many of the top manufacturing and construction firms for converting CAD data into 3D PDF.



For more information, visit [www.techsoft3d.com](http://www.techsoft3d.com)

**Corporate.** Tech Soft 3D, Inc., 1567 SW Chandler Ave. Ste. 100, Bend, OR 97702 USA.  
+1 541 385 6158 | [salesteam@techsoft3d.com](mailto:salesteam@techsoft3d.com)

**EMEA.** Tech Soft 3D Ltd., River Mill, Staveley Mill Yard, Staveley, Cumbria LA8 9LR, UK.  
+44 1539 898 020 | [euro-sales@techsoft3d.com](mailto:euro-sales@techsoft3d.com)

**Japan.** Tech Soft 3D KK, 220-0004, Yokohama ST Bldg 7F, Kitasaiwai 1-11-15 Nishi-ku, Yokohama-shi, Kanagawa-ken, Japan. | +81 80 3912 1237 | [japan\\_sales@techsoft3d.com](mailto:japan_sales@techsoft3d.com)

All information subject to change without notice.  
Copyright © 2017 Tech Soft 3D. All rights reserved.